

# Dialight

## 860 SERIES LED OBSTRUCTION LIGHT



**Certified to:** FAA AC NO: 150/5345-43E  
Canadian Aviation Regulation CAR 621.9  
(Transport Canada)

**Compliant to:** ICAO (Annex 14, July 1999)



### FEATURES / BENEFITS

- ▲ Available as a single or dual unit
- ▲ Available in 12VDC, 24VDC, 48VDC, 120VAC, and 220VAC versions (50 or 60HZ)
- ▲ Earth grounding provisions provided
- ▲ Unique optically designed lens to enhance LED operation and provide 360° visibility
- ▲ State-of-the-art high-flux LED technology
- ▲ Lasts years longer than an incandescent
- ▲ Weather/corrosion resistant lamp assembly and housing
- ▲ Self-contained wiring compartment eliminates additional boxes
- ▲ Threaded 1" and 3/4" bottom hub for mounting
- ▲ Can be operated steady or flashed (controller not supplied)
- ▲ 5 year warranty
- ▲ Resistant to shock and vibration
- ▲ IP 66 / NEMA 4X rated

US PATENT# 6,425,678

### APPLICATION

- ▲ The Dialight 860 series is the FAA type L810 red LED obstruction light. Designed for steady burning, this fixture is used to mark any obstacle that may present hazards to aircraft navigation. The US patent office has issued patent number 6,425,678 B1 for this series.

### OPERATING CONDITIONS

- ▲ Temperature: -67°F to +131°F (-55°C to +55°C)

### FINISH

- ▲ Cast Aluminum
- ▲ Stainless Steel Hardware



#### Dialight Europe Ltd.

Exning Road, Newmarket, England, CB8 0AX  
Tel: +44 (0) 1638 665541 • Fax: +44 (0) 1638 561735  
www.dialight-obstruction-lights.com



A Subsidiary of Dialight PLC



#### Dialight Corporation

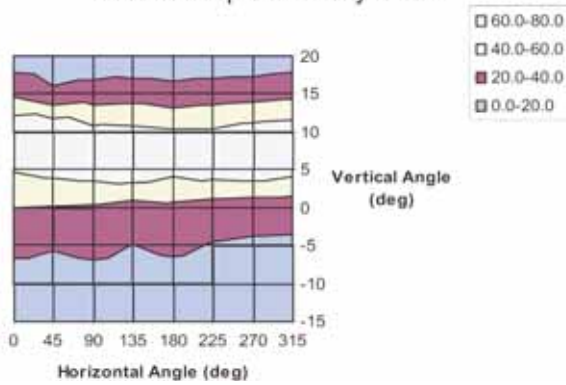
1501 Route 34 South • Farmingdale, NJ 07727 USA  
Tel: (1) 732-919-3119 • Fax: (1) 732-751-5778  
www.dialight.com



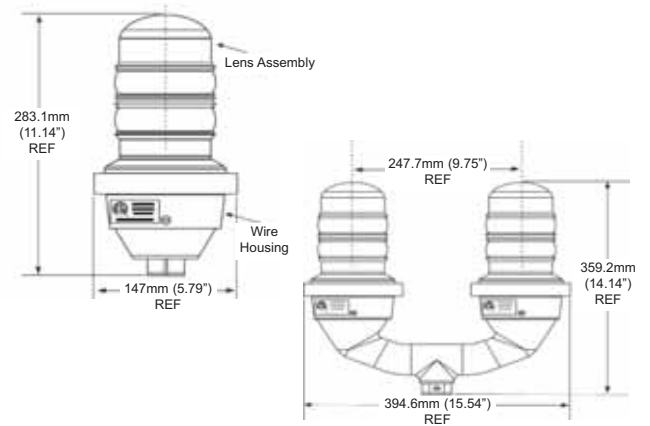
MDTF860X001\_K

## PHOTOMETRIC DATA

L810 Isotropic Intensity Chart



## MECHANICAL DIMENSIONS



## ORDERING INFORMATION

### Single Units Part Number

Volts

860-1R01-001*	120 VAC
860-6R01-001**	120 VAC
860-1R02-001	220 VAC
860-1R03-001*	12 VDC
860-3R03-001 (Low wattage)	12 VDC
860-1R05-001*	24 VDC
860-6R05-001**	24 VDC
860-1R04-001*	48 VDC

### Single Units with VAW\* Adapter Part Number

Volts

860-1R01-003*	120 VAC
860-1R02-003	220 VAC
860-1R03-003*	12 VDC
860-1R05-003*	24 VDC
860-1R04-003*	48 VDC

\* FAA approved

\*\* Canadian Spec

### Dual Units Part Number

Volts

860-1R01-002*	120 VAC
860-6R01-002**	120 VAC
860-1R02-002	220 VAC
860-1R03-002*	12 VDC
860-3R03-002 (Low wattage)	12 VDC
860-1R05-002*	24 VDC
860-6R05-002**	24 VDC
860-1R04-002*	48 VDC

### Replacement Light Assemblies Part Number

Volts

860-1R01	120 VAC
860-6R01**	120 VAC
860-1R02	220 VAC
860-1R03	12 VDC
860-3R03 (Low wattage)	12 VDC
860-1R05	24 VDC
860-6R05**	24 VDC
860-1R04	48 VDC

## WEIGHTS & MEASUREMENTS

### PART NUMBER

Single Unit  
Dual Unit

### APPROX. SHIPPING WEIGHT

7.14 lbs  
16.06 lbs

### CONTAINER DIMENSIONS

16" x 9" x 8"  
22" x 17" x 9"

## ELECTRICAL SPECIFICATIONS

	PF	VA	OPERATING VOLTAGE			WATTS (W)			AMPS
			Min	Typ	Max	Min	Typ	Max	
120VAC UNITS	.3	46.5	92	120	132	10	14.5	17.5	120mA
220VAC UNITS (60Hz)	.17	72	198	220	264	11	14.5	17.5	120mA
220VAC UNITS (50Hz)	-	-	198	220	264	12	14	17	-
12VDC UNITS (STANDARD)	-	-	10	12	14	20	24.5	29	2.0 A
12VDC UNITS (LOW WATTAGE)	-	-	10	12	14	7.0	7.50	8.8	.62 A
24VDC UNITS	-	-	21	24	27	17	22	29	920mA
48VDC UNITS	-	-	43	48	53	11	13.5	16	275mA

### Dialight Europe Ltd.

Exning Road, Newmarket, England, CB8 0AX  
Tel: +44 (0) 1638 665541 • Fax: +44 (0) 1638 561735  
www.dialight-obstruction-lights.com



A Subsidiary of Dialight PLC



### Dialight Corporation

1501 Route 34 South • Farmingdale, NJ 07727 USA  
Tel: (1) 732-919-3119 • Fax: (1) 732-751-5778

www.dialight.com



MDTF860X001\_K