



# ROTATING BEACON

## LX 1000

DOC 210605.E

### Use

- ⊙ Aeronautic beacon
- ⊙ Beacon of identification
- ⊙ Airport and Helipad Localization

### Conformity To the norms

- ⊙ OACI: Annexe 14  
Volume 1  
Paragraphe 5.3.3
- ⊙ FAA: L-801  
AC 150/5345-12C
- ⊙ OTAN: STANAG
- ⊙ STNA

The rotating beacon LX1000 is in conformity with the given recommendations in the paragraph 5.3.3 of the volume I of Annexe 14 of the OACI and to the standards L-801 (A, S or H) FAA AC 150/5345-12C

### Technical features

**Visual range:** Until 30 miles

**Number of fire heads:** The rotating beacon LX1000 is available with two heads in the version airport (or four with two reserve heads) or three heads in the version helipad FAA (L-801H).

**Security:** Beacon possessing 2 or three lamps immediately stop if at least one of the lamps are defective. Beacon possessing 4 lamps pass on the two lamps of reserve when at least one of the main lamps are defective and it immediately stops if at least one of the reserve lamps are defective.

**Power supply:** 120 ou 230Vac 50/60Hz

**Wattage:** 150W + 2 , 3 or 4 lamps 500W ou 1000W

**Lamps:** PAR64 flood 500W or 1000W.

**Colour:** Obtained by use of filters (green for terrestrial airfields, yellow for the hydro airfields and green for the helipad FAA (L-801H)).

**Frequency of the flash:** 26 flash per minute for all versions.

**Luminous intensity:** 400'000 cd.

**Luminous beam:** 5° of large on 30° of top.

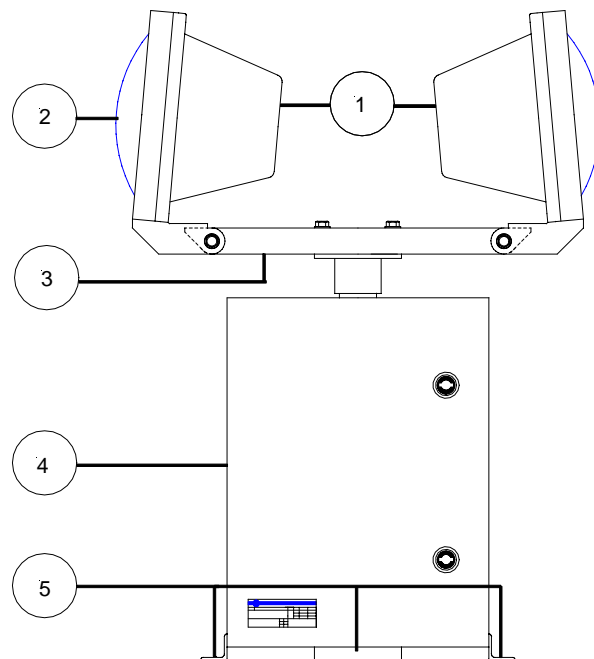
**Angle of elevation of the beacon heads:** Adjustment possible of -5° until +35°

**finishing:** All metallic parts outsides are in stainless stell.

**Fixing:** In standard execution made by three holes situated on the T-square for fixing and on request for all types of support.

### Conception

- 1) Heads of beacon
- 2) Filter of colour (green or yellow)
- 3) Supprt arm and rotary support
- 4) Electric equipment
- 5) T-square for fixing



Rte de Grandcour 72  
CH- 1530 PAYERNE  
E. mail : [info@logilux.ch](mailto:info@logilux.ch)

Tél. : 026 662 46 24  
Fax. : 026 662 46 25  
Web : [www.logilux.ch](http://www.logilux.ch)



## LX 1000

DOC 220605.E

### Use

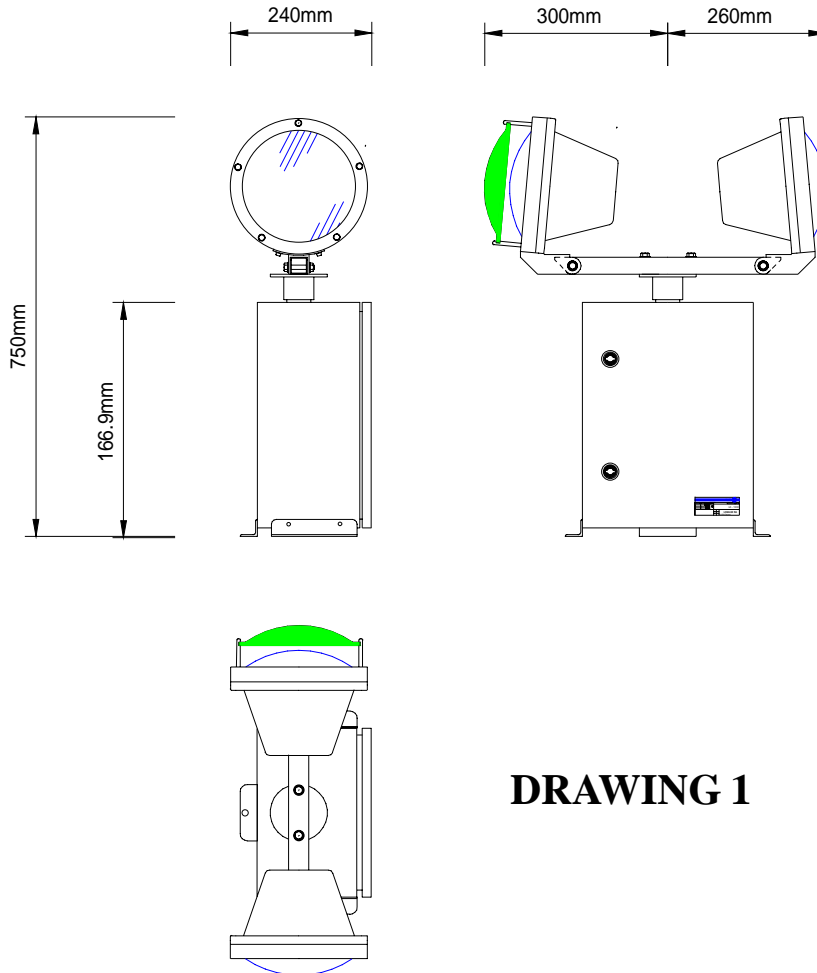
- ☉ Aeronautic beacon
- ☉ Beacon of identification
- ☉ Airport and Helipad Localization

### Conformity To the norms

- ☉ OACI: Annexe 14  
Volume 1  
Paragraphe 5.3.3
- ☉ FAA: L-801  
AC 150/5345-12C
- ☉ OTAN: STANAG
- ☉ STNA

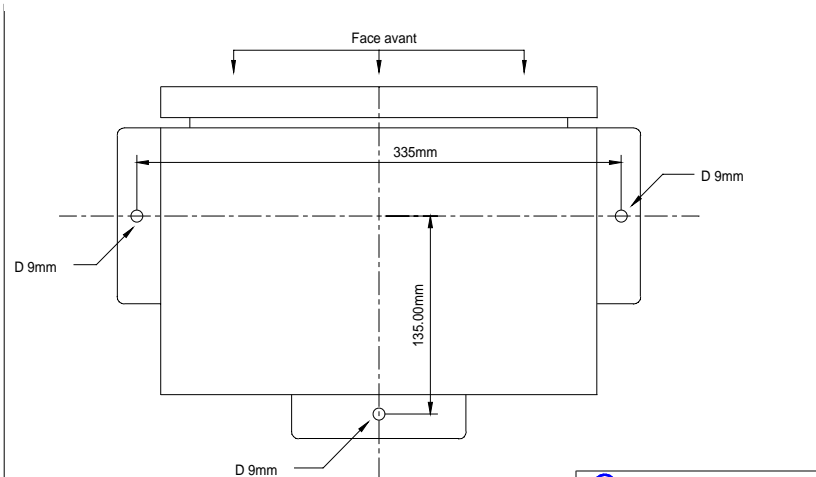
### Measurements and fixings

The drawing 1 gives the measurements of the LX1000



**DRAWING 1**

The drawing 2 gives the measurements and the disposition of fixing holes



**DRAWING 2**

LOGILUX		CH-1530 Payerne	
BASE DE FIXATION			
Etat	Cont.	Elab.	Revisé
LOGILUX SA		Tel : 0041 26 662 46 24	
CH-1530 Payerne		Fax : 0041 26 662 46 25	

Rte de Grandcour 72  
CH- 1530 PAYERNE  
E. mail : [info@logilux.ch](mailto:info@logilux.ch)

Tél. : 026 662 46 24  
Fax. : 026 662 46 25  
Web : [www.logilux.ch](http://www.logilux.ch)

